

Briton

2300 Series

Door controls



Fire Rated: Tested on fire door assemblies in accordance with Australian Standards, refer fire door manufacturer for specific approval details

The Briton 2300 Series incorporates cam action technology to reduce the resistance encountered when opening fire or smoke barrier doors.

The 2300 series makes opening fire doors much easier, ensuring that the elderly, children, and those with physical disabilities are able to exit the building easily.

In contrast to a conventional rack and pinion door closer, the linear cam action principle is extremely efficient. The initial opening force decreases as the door opens, and the closer retains power and control to close the door afterwards.

The Briton 2300 Series offers easy opening and reliable closing, while meeting accessibility standards.

Features

- Extruded aluminium body with cam action technology
- High quality hydraulic fluid with built-in temperature compensation (will operate effectively between -15 to +40 degrees Celcius)
- Adjustable backcheck as standard
- Adjustable closer strength 2 – 4
- Separate closing speed and latch action adjustment
- Optional mechanical hold-open available: 80° - 120° angle
- Electroplated stainless steel finish
- 10 year warranty

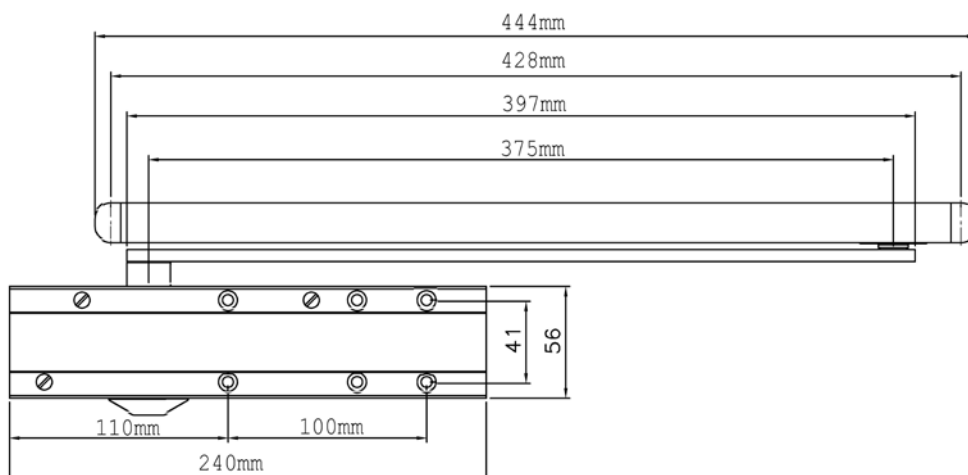
Specification guide

Brand	Description	Model	Function	Finish		
Briton	BNT	Cam Action Closer Strength 2-4 Pull side	2320BT	Track	T	Electroplated stainless steel Finish
		Cam Action Closer Strength 2-4 Push side	2321BT			

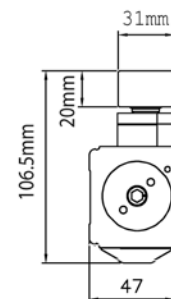
Specifications

Door type	Timber or metal
Door size	Max width: 850mm – 1100mm Max weight: 40kg – 80kg
Applications	Regular – pull side mount Stop face – push side mount
Adjustment controls	Closing speed Latching speed Backcheck
Strength	2-4 adjustable
Finishes	Electroplated stainless steel finish
Warranty	10 year mechanical

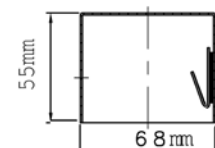
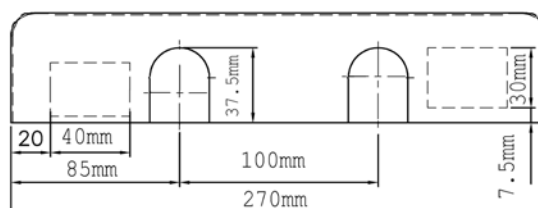
Front/Arm



Side



Cover



Regulating controls

The Briton 2300 has independent regulators to control:

Closing speed	Adjustment to increase or decrease the speed at which the door closes. This allows the appropriate momentum to close the door in a safe and secure manner. Closing speed adjustment operates from the maximum opening to 15°
Latching speed	The latching speed allows the door to close quietly and firmly. It can be adjusted to increase or decrease the speed at which the door finally closes. This assists the final stage of the closing cycle to help overcome stubborn latch bolts or air pressure conditions. Alternatively the latching speed can be decreased to cushion the door into the frame. The latching speed adjustment operates from 15° to closing.
Backcheck	Adjustable hydraulic backcheck provides a cushioning effect to prevent damage to the closer, door and frame when the door is forcibly thrown open. The backcheck adjustment allows the level of resistance in the latter stage of opening to be set at the level required. Backcheck is effective from 75°. Backcheck is a requirement for all fire rated closers

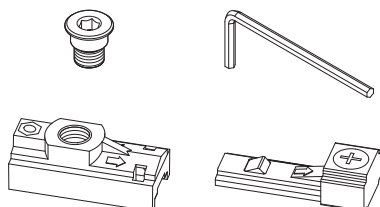
Functions

Regular	For applications where the door must fully close after each opening
Hold open	Suitable for doors where the door may need to be left in a hold open position. The hold open function can be set to hold open at a single point. Hold open closers can not be used on fire doors

2300 Series Accessories

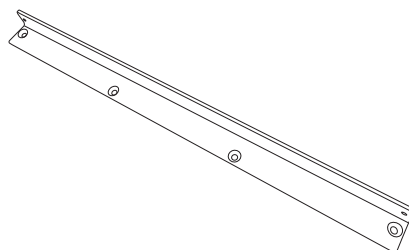
Hold open conversion kit

Allows doors to be held open at desired position. Not to be used on fire doors.



Angle mounting bracket

When mounting closers to the push side



Cushion limit stay

Optional cushion limit stay for standard applications to assist slowing door in opening cycle

